

IVI Foundation and Specifications

Purpose: Summarize the work of the consortium
Introduce the technical material with
big picture

Topics:

- The Consortium
- The Driver Specifications

Time: Approximately 8:00 minutes

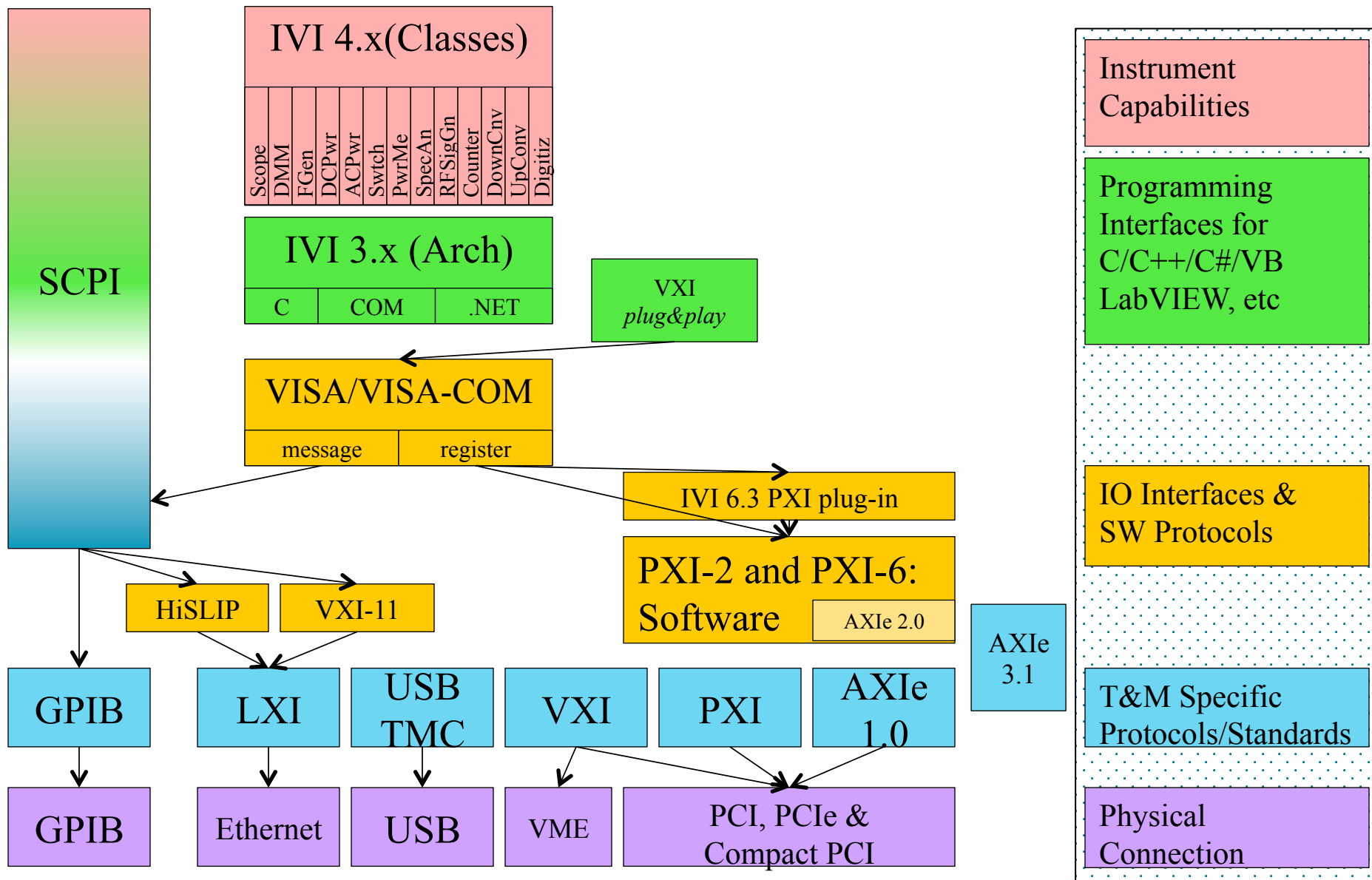
What is IVI?

The primary purpose of the Consortium is to:

- *Promote the development and adoption of standard specifications for programming test instrument*
- *Focus on the needs of the people that use and develop test systems who must take off-the-shelf instrument drivers and build and maintain high-performance test systems*
- *Build on existing industry standards to deliver specifications that simplify interchanging instruments and provide for better performing and more easily maintainable programs*

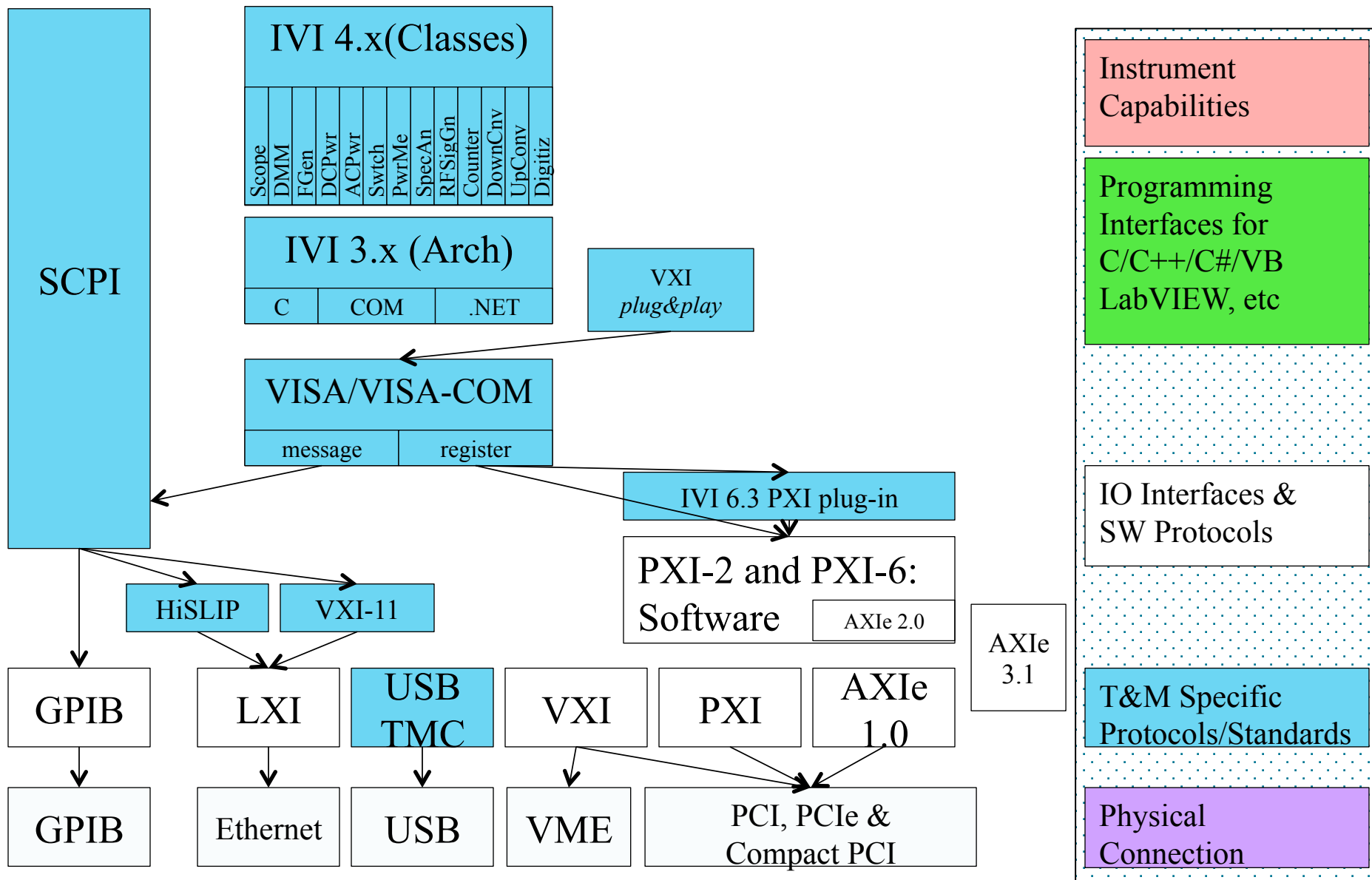


IVI fit with other specs

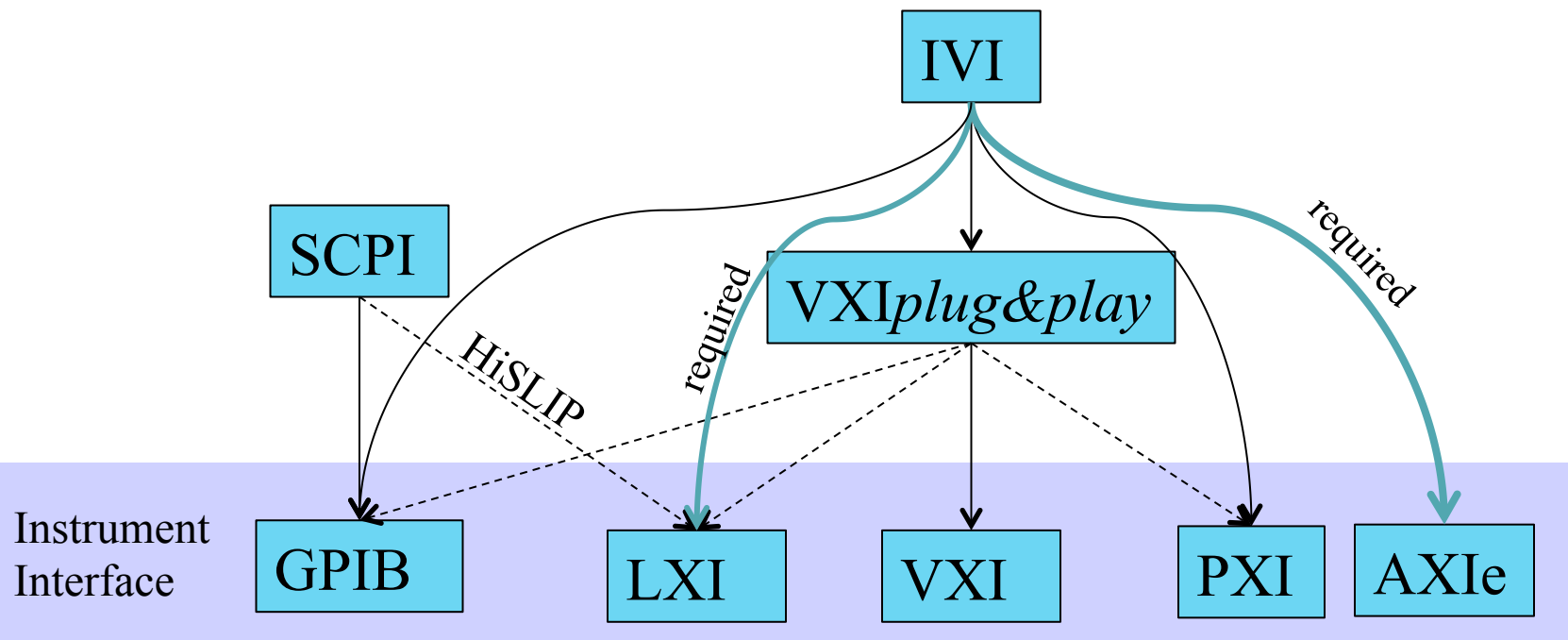




IVI fit with other specs



IVI Fit with Other Specs



- SCPI provided necessary standards based on GPIB needs
 - Command strings natural match to GPIB
 - HiSLIP allows connection to LXI
- *VXIplug&play* added drivers necessary for VXI
 - Used with other I/O to provide necessary driver
- IVI enhances *VXIplug&play* with new features & support for current tools